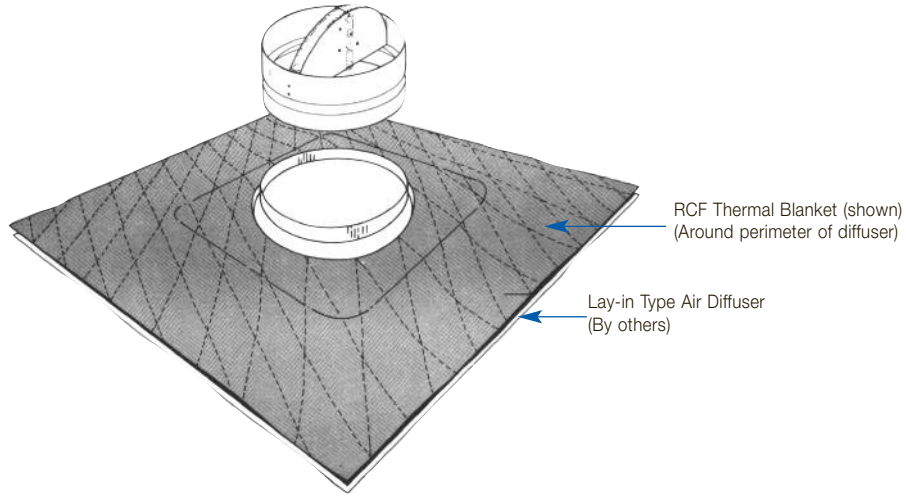


## CFDR

### CEILING RADIATION DAMPERS

Model CFDR
6" Ø
8" Ø
10" Ø
12" Ø
14" Ø



## IBD-20

### STYLE R CURTAIN TYPE FIRE DAMPERS

#### APPLICATION

The Model IBD-20 can be installed vertically in walls or horizontally in concrete floors with fire resistance ratings of less than 3 hours. The IBD-20 carries a 1-1/2 hour UL fire damper label and is classified as static damper for use in HVAC systems that shut down during a fire.

- Frame Sleeve or 20 gauge x 1/2" galvanized, steel channel
- Vertical or horizontal installation
- Closure Springs
- Fusible Link



SIZE
D
6
8
10
12
14

Duct collars are normally fabricated approximately 1/8" (3) less than given duct dimensions. Style R consists of duct collar centered on end of frame or sleeve as shown below.

