

## FLEX DUCT

Flexmaster flexible duct sets the standard in quality and dependability. Manufactured without glue or adhesives, the mechanical-locked inner core maintains its shape at all 90° bends and offsets. This flexible duct has the highest performance credentials of any flexible duct. Flexmaster USA's 20 year warranty is unsurpassed in the HVAC ductwork industry.

- UL181 Class 1
- Flame/Smoke: 25/50
- Operating Temp: -20 to +250 F
- Vapor Barrier: ASTM E96, Procedure A



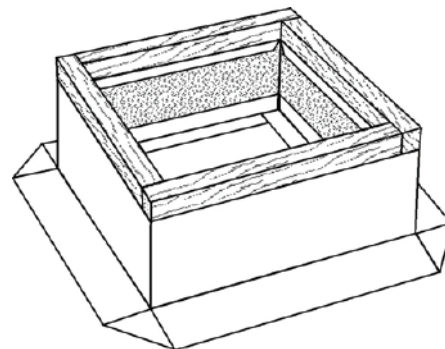
### Flexmaster 8M Flex Duct - R6 Insulation

Model	Size
R68M06	6"
R68M08	8"
R68M10	10"
R68M12	12"
R68M14	14"
R68M16	16"
TYE Wrap B6-50	



## ROOF CURBS

SF12-12 x 12
SF12-14.5 x 14.5
SF12-17.5 x 17.5
SF12-19.5 x 19.5
SF12-22.5 x 22.5
SF12-26.5 x 26.5



- 20 gauge galvanized steel construction
- With 2x2 wood nailer and damper tray
- With 1 1/2" internal insulation
- 12" standard height